

HDMI 2.0 Type A AOC Specifications

NO1.Product Description

Technology Guangdong SGO Forever Electronic&Fiber Technology Co.,LTD .It adopts advanced embedded optical engine technology, uses optical fiber as high-definition signal transmission medium, supports HDMI 2.0 protocol, supports length customization and shell customization, and is a mature and competitive HD interconnection solution on the market. Product picture as shown in Figure1.



Figure 1

1. Embedded advanced optical engine and support long distance transmission. Moreover, there is no need to use external power and power amplifier unit. The working process is shown in figure 2.

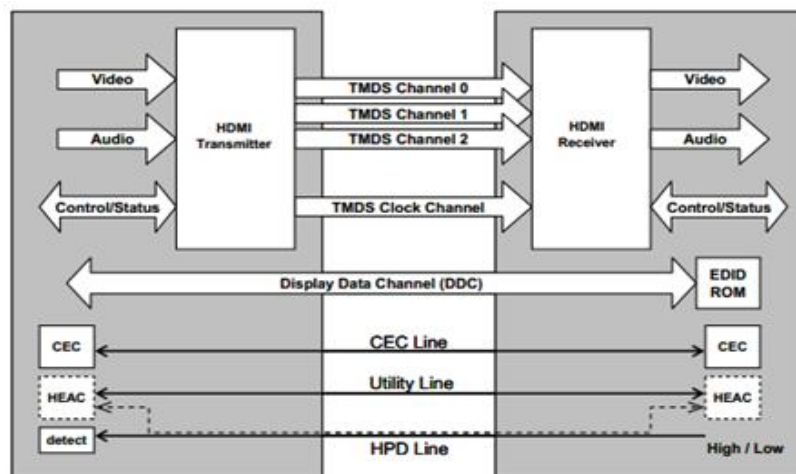


Figure 2

2. TMDS high frequency signal is transmitted through optical fiber, and control signal such as CEC、HEAC are transmitted through copper wire. The product has a very good resistance to electromagnetic and radio frequency interference. And it can work normally in a challenging environment.

3. The cable adopts photoelectric composite cable. Four optical units and seven electrical units are main parts of cable. Also, there are aramid yarn as reinforcement and black outer sheath. outer diameter of cable is only 4.8 mm.

4. Customization is accepted, and SGO provides technical supports.

5. Support HDMI 2.0 and HDMI 1.4.

SGO The performance parameters of HDMI 2.0 AOC are shown in Table 1 below.

Table 1

Connector Type	HDMI Type A
Transmission bandwidth	18G
HDCP Version	HDCP1.4/2.2
Resolution	480P, 720P, 1080i, 1080P, 3D, 4K @60Hz(4:4:4)
Wire specifications	optical fiber:50/125um Hybrid type with optical fiber and copper wire
FB/PIN	4 CH 850nm VCSEL/PIN
Power	HDMI +5V (No need extra power)
Working current	≤45mA
Power Consumption	≤250mw
Length	0-150m Optional
Whether to support Ethernet function	NO

Quantum wire test equipment

804B signal source

Sony 4k player

Panasonic projectors

Agilent eye diagram equipment, etc.

AS is shown in figure 4、figure 5、figure6、figure7.



Figure 3



Figure4



Figure5

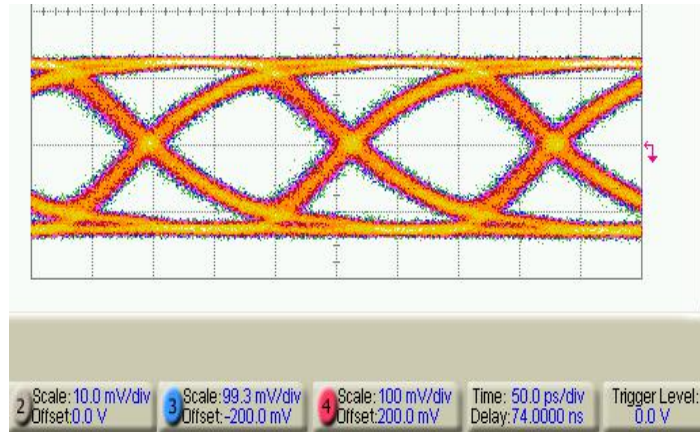


Figure6

ROS: Applications

Hd matrix

Home theater, commercial theaters

Medical equipment, factory automation

Sports venues, large viewing room

Large international conference center, large international exhibition center

Television studio, outdoor advertising, airport HD display, etc.