

DH-PFB120W

Wall Mount Bracket



Features

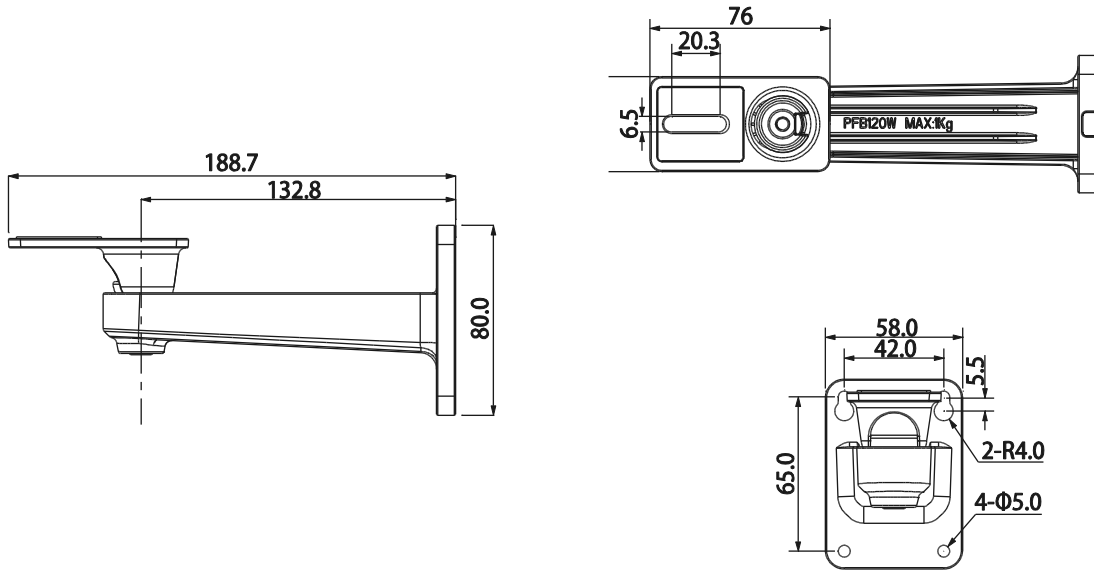
- Material: Aluminum
- Wall Mount Bracket
- Neat & Integrated design

Specifications

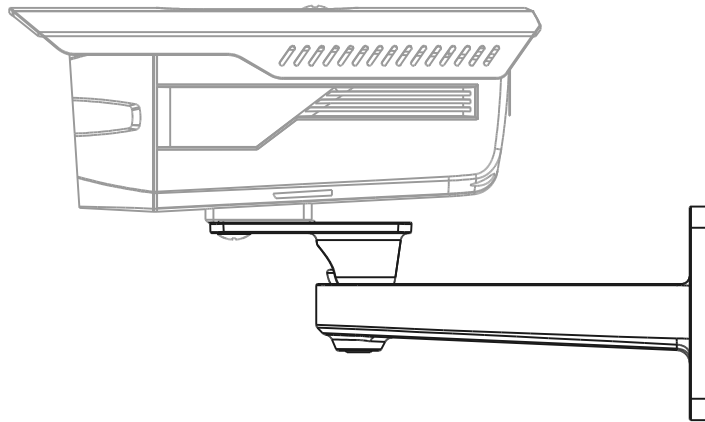
Model	DH-PFB120W
General	
Material	Aluminum
Dimension (W x H x D)	58mmx 80mm x 188.7mm
Pipe Thread	N/A
Operating Temperature	-40°C ~60°C
Humidity	0~90% RH
Load Bearing	1.0Kg
Weight	0.38kg
Applicable Model	CA-F(E/F), CA-FW(D/H/J/K), HAC-HFW(B/D), HDC-HF3200, IPC-HF, IPC-HFW(D)

DH-PFB120W

Dimensions (mm)



Application



Dahua Technology Co., Ltd.

1187 BinAn Road, Binjiang District, Hangzhou, China

Tel: +86-571-87688883

Fax: +86-571-87688815

Email: overseas@dahuatech.com

www.dahuasecurity.com

*Design and specifications are subject to change without notice.

© 2013 Dahua Technology Co., Ltd.